



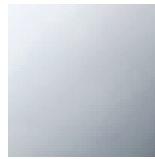
## Bathtub - MEM

Tub spout without diverter for freestanding installation - polished chrome

Article number: 13 672 780-00



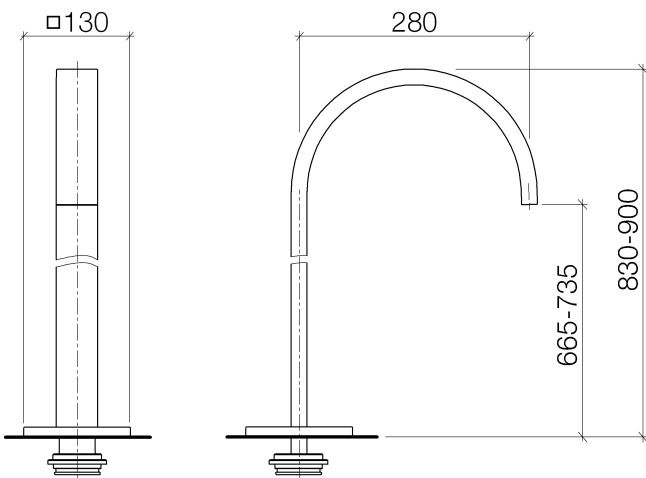
- 11" Projection
- Cascade
- Total height 32-5/8" - 35-3/8"
- Height to aerator/spout outlet 26-1/8" - 28-7/8"
- Flange 5-1/8" x 5-1/8"
- Water flow rate limited to max. 12.6 gpm
- Fittings group in compliance with DIN 4109: 1



polished chrome

Accessory is required for this item.

## Dimensional drawing



All dimensions in mm / inch = mm x 0,0394

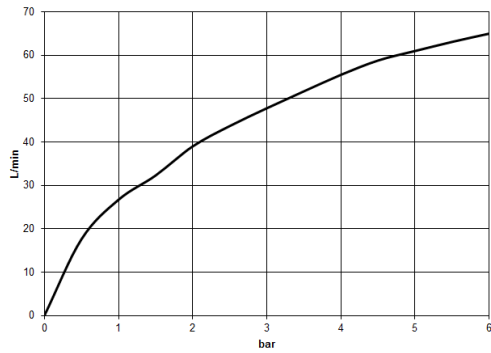


## Bathtub - MEM

Tub spout without diverter for freestanding installation - polished chrome

Article number: 13 672 780-00

### Flow rate chart





## Bathtub - MEM

Tub spout without diverter for freestanding installation - polished chrome

Article number: 13 672 780-00

### Other surface finishes



platinum matte  
13 672 780-06



platinum  
13 672 780-08



Cyprum  
13 672 780-49

More custom finish options are available via special production (xTra Service). Please see our finish matrix for availability and pricing or contact a Dornbracht representative.

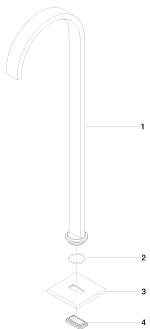
### Required article



35 945 970-90 0010

Floor mounting rough set -

### Spare parts list



Number	Item Number	Designation	Number of units
--------	-------------	-------------	-----------------